



12 VOLT LED ROPE LIGHT INSTRUCTIONS

CUTTING INTERVALS:

- 1 Using the cutting interval length, measure from the power cord connection or the end of your rope light you will find a scissor icon that indicates where to make your cut.
- 2 Use Brilliant Brand rope light cutters or other heavy duty shears to make a perpendicular cut between bulbs where the cut mark is located.

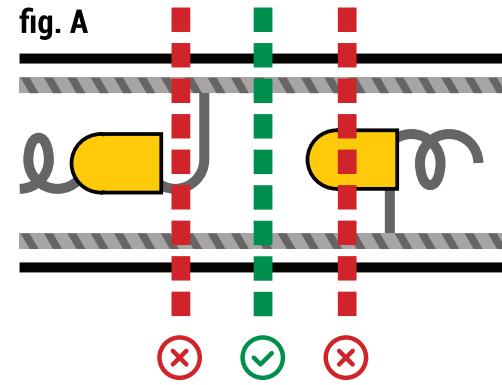
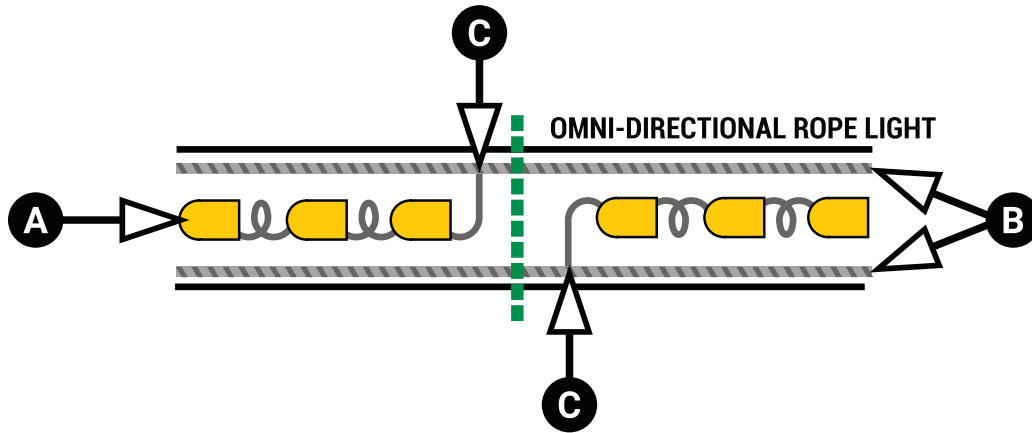
NOTE: the length of your LED rope light is customizable and may be cut to size in specific intervals only. For more info on cutting intervals please contact your supplier.

- ⚠ Never attempt to cut or install other accessories while LED rope lights are plugged in to a power source.



MISSING OR INCORRECTLY PLACED CUT MARK:

Use the diagram and instructions below to correctly identify where it is safe to cut your LED rope lights. If any further assistance is required please contact your supplier.



To safely cut your rope lights without a cut mark or to confirm if a cut mark is correctly placed locate and identify each of the following components:

- (A) - wired rope light section, each rope light section is comprised of a string of bulbs/LEDs wired in series. Cutting anywhere in this section will cause the section to fail and it will not light - other sections will not be effected.
- (B) - main rope light power wires, these two wires run the entire length of your rope lights. Damaging or breaking either one of these wires will result in the entire run of rope lights to fail and they will not light after the break.
- (C) - soldered rope light section wires, each soldered wire connects a wired rope light section to one of the main rope light power wires. Breaking or damaging one of these wires will cause the section to fail and it will not light - other sections will not be effected.

To cut the rope lights, locate the end of the nearest wired rope light section (A) along with where the corresponding soldered rope light section wire (C) connects to the main rope light power wire (B) - mark the section wire connects with the main power wire.

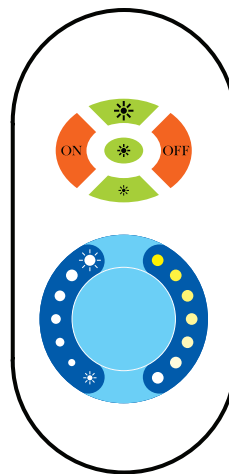
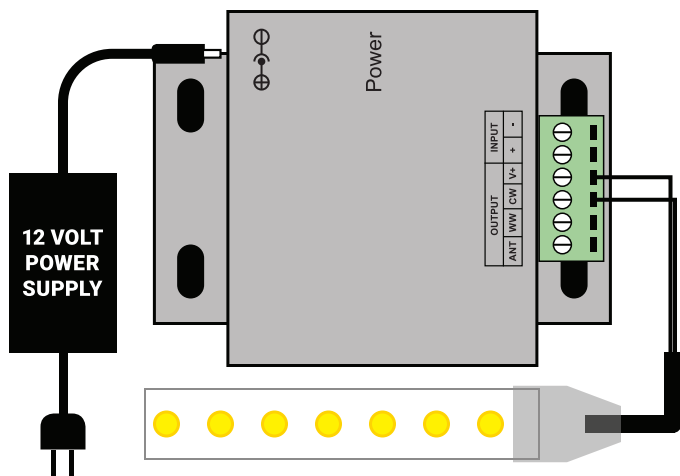
Move down the rope lights approximately 1.0 in. and locate the end of the next wired rope light section and repeat the above steps - again marking the connection point.

Measure equidistant between the marks and make a cut line. NOTE: due to the orientation of the bulbs in omni-directional rope lights (fig. A) a bulb/LED may extend past the connection point where the section wire (C) connects with the main power wire (B) and into the cutting area. Similarly a soldered rope light section wire (C) may also extend into the cutting area. If a bulb, LED, or wire does extend into the cutting area adjust your cut line so it does not intersect the bulb, LED, or wire.

Use Brilliant brand rope light cutters or other heavy duty shears to make a perpendicular cut, ensuring that the main rope light power wires are flush with the end of the rope lights. NOTE: if the main rope light power wires are not cut flush there is a very high risk of creating a short circuit when installing a power connector.

- ⚠ **WARNING:** When using rope lighting outdoors, waterproof PVC or silicone is required to seal all connections, power cords, and end caps. NOTE the use of any non-recommended sealant e.g. electrical tape, may result in a rope light or rope light accessory failure and will void the warranty.

12V LED ROPE LIGHT CONTROLLER INSTALLATION



Remote Controller Functions

Orange Buttons

ON/OFF - use to turn the rope lights on or off.

Green Buttons

Pre-set brightness settings - large sun HIGH brightness, center sun MEDIUM brightness, small sun LOW brightness.

Lower Touch Dial

Left Side

Custom Brightness (100% - 1%)

Use touch ring to set desired brightness level, top is brightest/bottom is dimmest.

Right Side

Unused, not compatible with 12V LED rope lights.

Controller Wiring Directions - Spool Factory Pre-Installed Wires:

While the controller is unpowered, connect the 12V LED rope light to the controller using the pre-installed wiring to the corresponding controller terminals:

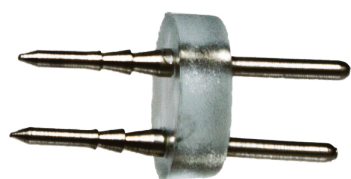
Connect one wire to the V+ terminal and connect the second wire to the WW terminal. NOTE as the wires are unmarked, if after connecting the wires and turning on the controller the rope lighting does not light up simply reverse the wires. Incorrectly attaching the wires will not damage the rope lights.

Connect your 12 Volt power supply into the controller.

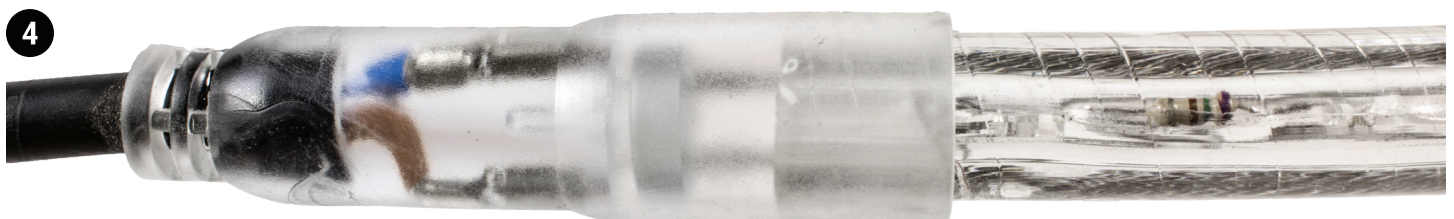
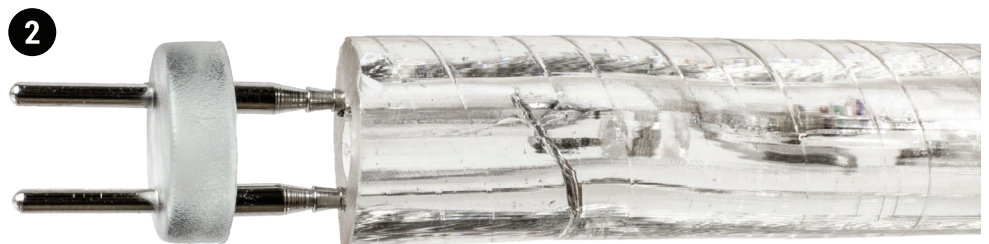
CONNECTING ACCESSORIES:

- 1 Line up the sharp prongs of the power connector with the rope light wires.
- 2 Gently insert power connector into the end of the rope light until it is secure. Inserting the power connector until the plastic disc touches the rope light is neither required or recommended.
- 3 Optional: Use PVC or silicone sealant to secure and/or waterproof all connections.
- 4 Insert rounded prongs of power connector into the accessory.
- 5 Attach an end cap to end of the rope light run. (If not previously installed)

NOTE: LED rope lights are polarized. If they do not light up when you first plug them in, simply unplug the power cord and reinstall connection 180° from the original configuration, or insert the power connector in the opposite end of the rope light.



Always insert sharp pins into rope light and rounded pins into accessories.



WARNING: LED lights produce excessive heat operating while spooled. Fully unspool all LED lights before operation. Failure to do so may result in damage to the lighting and or property.